

ECO

Parking Lights.

Tech Specs: **ECO Block**

Housing

Die formed .050" aluminum welded construction.

Reflector

Elliptical aluminum with symmetrical distribution.

Ballast

Induction high frequency electronic ballast with input voltage range of 120V-277V.

Lamp

Induction electrodeless fluorescent lamp with average rated life 100,000 hours.

Lens

Acrylic prismatic dropped lens.

Finish

Surface cleaned with iron phosphate and chromic rust inhibitor. Chip resistant powder urethane polyester coating, electrostatic applied and baked. Standard color is Sky White. Custom colors are available.

Labels

U/L, CU/L listed & I.B.E.W. labeled, suitable for wet location under covered ceiling.

Ordering guidelines:

Suitable for operation with line voltages of 120 to 277 \pm 10% VAC. Contact factory for other line voltages.

Select mounting type:

Pendant mount, trunion mount, or surface mount

Select system wattage:

100W or 150W

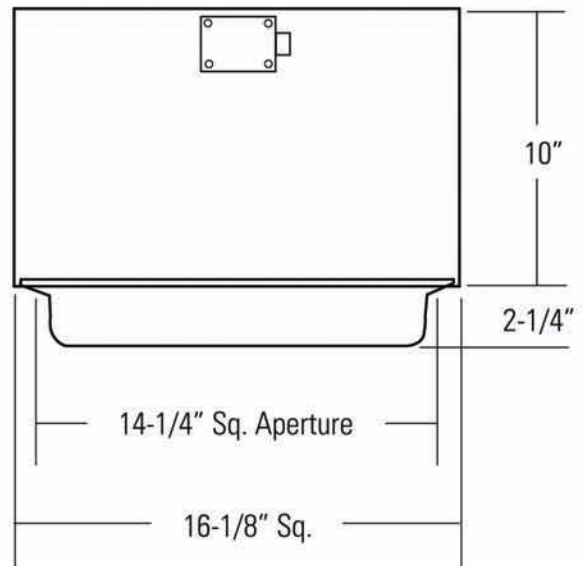
Select lamp color temperature:

3500K, 4100K, 5000K

SPECIFICATIONS SUBJECT TO CHANGE WITHOUT NOTICE



ECOblock



www.ecoparkinglights.com
CALL TOLL FREE 1-866-897-1234

Green that makes Cents.